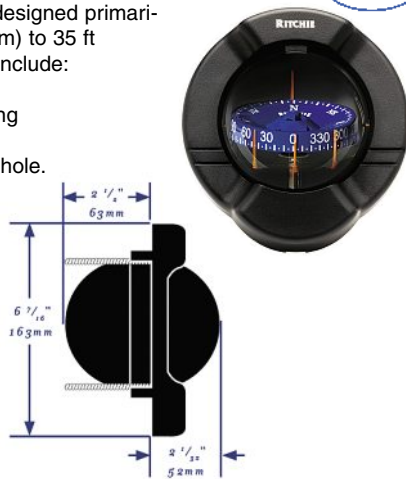


RITCHIE® SuperSport

The **SuperSport SS-PR2** is designed primarily for power boats 16 ft. (4.88m) to 35 ft (10.66m) in length. Features Include:

- 3 3/4" (9.35 cm) CombiDial
- 12V green LED Night Lighting
- Compensators Included
- 4 5/8" to 4 13/16" mounting hole.
- Vertical Mounting Angle Through 40 Degrees.
- Protective Front Cover Included
- Exclusive 5-Year Ritchie Warranty

NEW



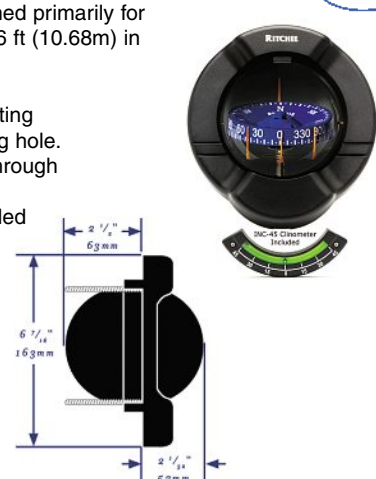
ORDER NO.	PRICE
RIT SSSPR2	\$270.70

RITCHIE® Venture Compass

The **Venture SR-2** is designed primarily for sailboats 16 ft. (4.88m) to 36 ft (10.68m) in length. Features Include:

- 3 3/4" CombiDial
- 12V green LED Night Lighting
- 4 5/8" to 4 13/16" mounting hole.
- Vertical Mounting Angle Through 40 Degrees.
- Clinometer (INC-45) included
- Steady Quick Lock-On Performance.
- Exclusive 5-Year Ritchie Warranty
- Protective Front & Back Covers are Included.

NEW

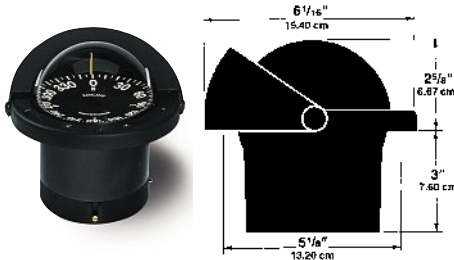


ORDER NO.	PRICE
RIT SR2	\$270.70

RITCHIE® Navigator

Features:

- 4-1/2" Flat Card.
- Full Internal Gimbals.
- Matched Pivot.
- Sapphire Jewel.
- Built-in Compensations.
- 45° Lubber Lines.
- Movable Sunshield.
- 5 Year Warranty.
- Mounting Hole 5-1/8".



ORDER NO.	DESCRIPTION	PRICE
RIT FN201	Flush Mount	\$425.65



Danforth® Saturn® Compasses

The compact 3-3/4" apparent card diameter Saturn has basically all of the quality features found in the larger Galaxy and Gemini models. Saturn compasses are built with Danforth's exclusive guaranteed no-spin direct reading card graduated in 5° intervals, and are shaped to provide the best magnification and clarity. Fully gimbaled, and equipped with recessed compensators to prevent accidental movement once the compass has been compensated for deviation.



A149 Bulkhead Mount Front Reading

ORDER NO.	FINISH	BEARING LINES	PRICE
RUL A149	Black	0°- 45°	\$149.13



Danforth® Cruiser™ Compasses

Cruiser compasses are available with 3-5/8" apparent diameter, direct reading compass cards. They are designed for cruising class boats in the 18 to 30 foot range. All Cruiser compasses have crystal clear spherical acrylic domes and cross-bar compensators. Night illumination with red filter is built into the hood. Direct reading models have guaranteed no-spin compass cards.



Flush Mount
Mounting Hole 3-1/8".



Binnacle Mount

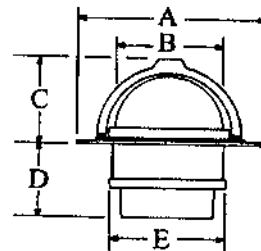
ORDER NO.	DESCRIPTION	PRICE
RUL A154	Flush Mount	\$102.30
RUL A152	Binnacle Mount	\$124.75



Danforth® Corsair® III Compasses

Features:

- Removable capsules for easy storage.
- Unique telescoping hood for full protection of the dome.
- LED night illumination.
- Cross-bar compensation.
- Black Finish.
- Traditional flat cards supported by jewel pivots.
- Telescoping hood.



- A 6"
- B 3 3/4"
- C 2 1/4"
- D 2 3/4"
- E 3 3/4"

ORDER NO.	PRICE
RUL C3993	\$216.48

RULC3993	Apparent Card Size	Card Degrees	Bearing Lines
	3 3/4" Flat	5°	0°, 45°, 180°