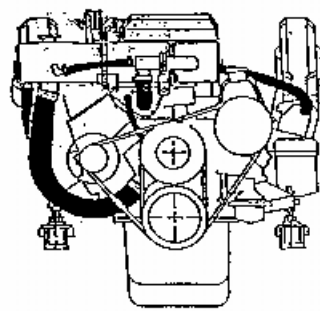
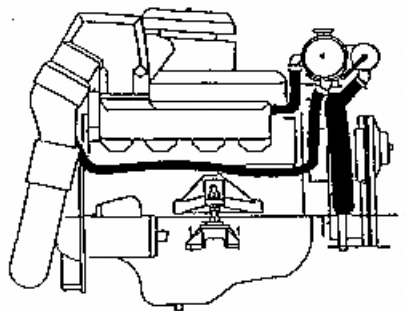


**MONITOR PRODUCTS, INC.**

15400 Flight Path Dr  
Brooksville, FL 34604  
Tel: 352-544-2620  
Sales: ext 201  
Technical Assistance: ext 209  
Fax: 352-544-0870



FRESH WATER COOLING  
Kit Specification: MFH-5057  
Small Block Ford  
302-351 CID



### **CONVERSION KIT FITS:**

Ford based small block V/8 engines 302-351 CID, inboard and sterndrive, excluding V-drives. Especially designed for OMC Cobra engines but will fit other Ford conversions provided that space exists on front top of engine. See above illustrations. Heat exchanger is 4 1/8" x 19.5" long and fits within overall length width and height of most engine conversions. Plastic expansion tank mounts separately on vertical surface next to engine.

### **COOLING SYSTEM TYPE**

Block only. Engine block on fresh water system. Exhaust manifolds remain on raw water system. System utilizes a heat exchanger with a built in, full flow, bypass control thermostat ensuring optimal jacket water flow under all operating conditions.

### **CONVERSION KIT**

Kit includes heat exchanger, heavy-duty translucent plastic expansion tank plus all other components necessary to complete conversion. Some components from engine are reused. Heat exchanger painted black. Brackets and other components painted black or zinc plated. Hose clamps all stainless.

### **HEAT EXCHANGER**

Shell and tube type. Redesigned to achieve higher cooling capacity. All copper alloy construction made to the highest industry standards. Heavy-duty dual demountable clean out end covers. Zinc anode protection.

### **COOLING SYSTEM CAPACITY**

Will maintain engine temperature in the 160-170° F range using 160° F thermostat included in kit. System has cooling capacity safety margin higher than industry standards.

**MONITOR PRODUCTS, INC.**

15400 Flight Path Dr  
Brooksville, FL 34604  
Tel: 352-544-2620  
Sales: ext 201  
Technical Assistance: ext 209  
Fax: 352-544-0870



FRESH WATER COOLING  
Kit Specification: MFH-5057  
Small Block Ford  
302-351 CID

**HEATER SYSTEM HOOKUP**

Heaters such as galley water heaters and cabin heaters are easily connected to the system by utilizing the cooling system bypass connections.

**INSTALLATION TIME**

Very easy installation of approximately one hour assuming new engine and normal accessibility. Allow additional time for filling and testing. Installation skills are not beyond those of most do-it-yourself boat owners. Complete illustrated installation instructions are included in kit. Ordinary hand tools used.

**WARRANTY**

Two year warranty on complete kit. We will not be responsible for labor charges or any indirect or consequential costs or damages.

**MONEY BACK GUARANTEE**

Full refund if kit is returned within 30 days in original box and in undamaged condition.

**PRICE**

Trade and volume discounts available. Buy through your dealer or direct using Visa, MasterCard, Am Express, UPS COD or money order.

\*Monitor Products Inc. reserves the right without prior notice to revise prices and specifications.