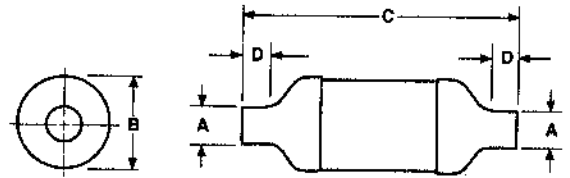




Vernatone™ Muffler

Well-known VERNATONE Muffler is accepted by many of the nation's foremost boat manufacturers as standard equipment. As an all-fiberglass marine muffler, it outperforms the best metal muffler available at one-half to two-thirds of the cost. Carefully engineered to minimize back pressure, VERNATONE offers excellent exhaust quieting. VERNATONE Mufflers will not rust, corrode or deteriorate from contact with exhaust gases and with fresh or salt water. It is resistant to temperatures encountered in water-cooled exhaust systems, and the all-fiberglass design eliminates electrolysis. Noxious fumes and odors are also drastically reduced.



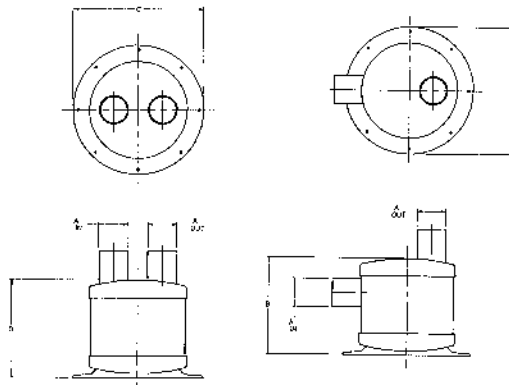
ORDER NO.	A	B	C	D	PRICE
VER 1000103	2.50"	5.58"	21.62"	3.00"	\$158.23
VER 1000104	3.00"	7.07"	25.84"	3.50"	\$172.03
VER 1000106	4.00"	9.06"	33.69"	3.50"	\$270.00
VER 1000107	4.50"	10.00"	35.62"	4.00"	\$324.50
VER 1000108	5.00"	11.00"	38.75"	4.40"	\$399.03
VER 1000111	6.00"	12.12"	41.50"	5.00"	\$548.98



Vernalift™ Exhaust Muffler

The Vernalift exceeds ABYC specifications. Vernalift's strengthened design means it can withstand internal pressures far higher than any competitive muffler of non-corrosive materials. The Vernalift provides the following features:

- Strength
- Safety
- Reduced exhaust noise
- Suitable for gas or diesel
- Compact
- Suitable for propulsion or generator set



Side In - Top Out

ORDER NO.	A	B	C	PRICE
	Inlet/Outlet	Height	Base	
VER 1500071	1.50"	8.00"	9.00" sq.	\$162.38
VER 1500020	1.63"	8.00"	9.00" sq.	\$163.05
VER 1500024	1.88"	8.00"	9.00" sq.	\$165.35
VER 1500026	2.00"	8.00"	9.00" sq.	\$167.65
VER 1500027	2.00"	10.13"	10.50" sq.	\$181.93
VER 1500034	3.00"	10.16"	10.50" sq.	\$195.95

Top In - Top Out

ORDER NO.	A	B	C	PRICE
	Inlet/Outlet	Height	Base	
VER 1500060	1.50"	8.00"	9.00"	\$157.53
VER 1500009	2.00"	8.00"	9.00"	\$162.38